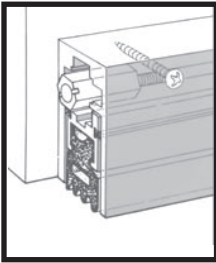


INSTALLATION INSTRUCTIONS

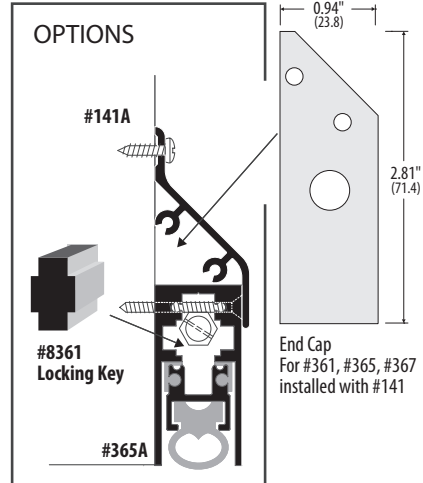
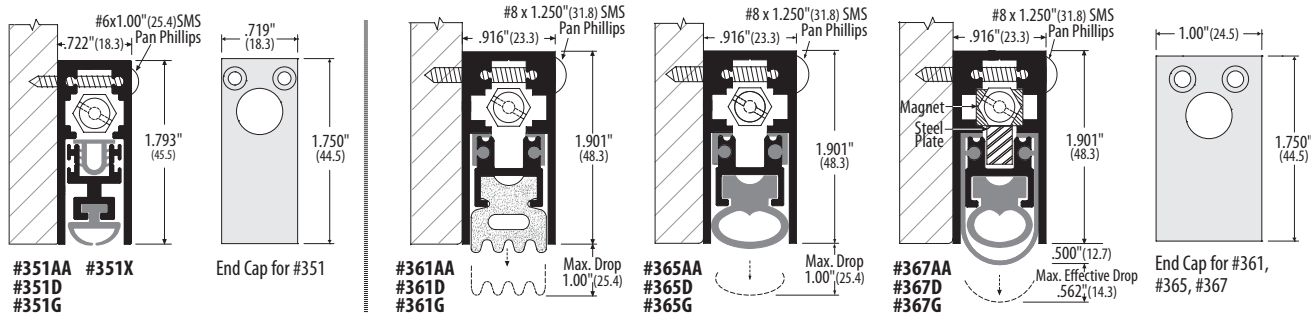
Automatic Door Bottom #320, 350, 351, 352, 360, 361, 362, 364, 365, 366, 367, 368, 369



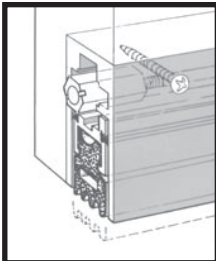
Typical Mounting of Automatic Door Bottoms



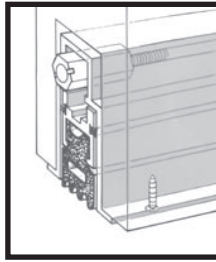
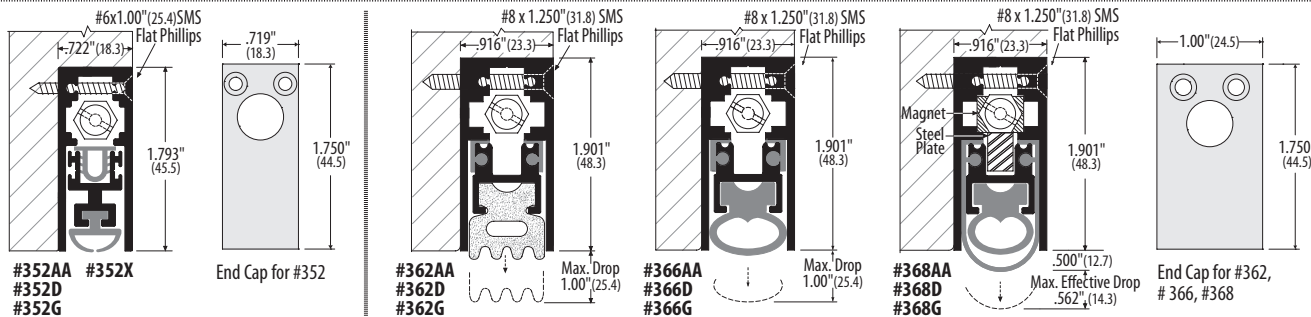
● Surface-Mounted



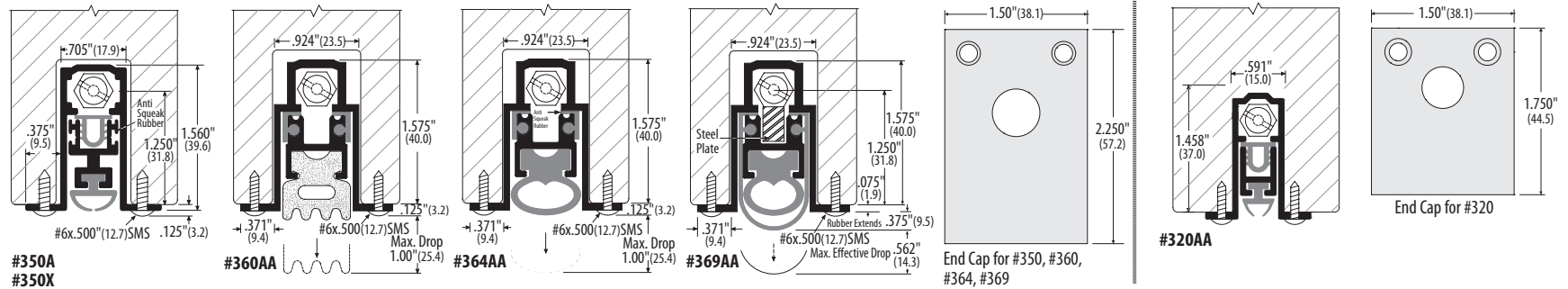
Surface-Mounted Automatic Door Bottom With Watershed Option
 Note: #8361 Locking Key can't be used with end caps.



● Semi-Mortised

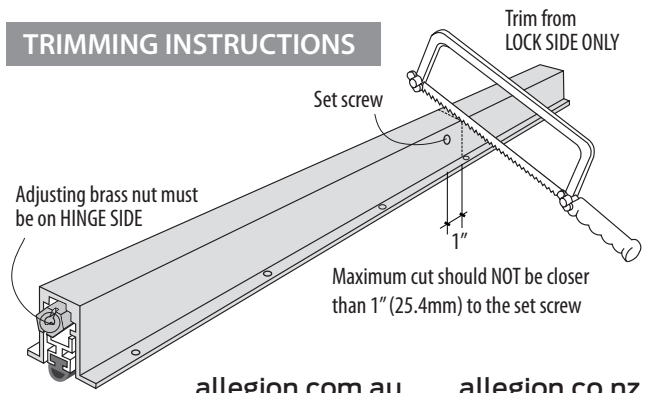


● Mortised



- 1** Cut the automatic door bottom (ADB) to the size needed. Leave 1/16" (1.6mm) clearance on each end.
- 2** Place the ADB on the door. All surface and semi-mortised units must be mounted on the push side of the door (side where the door stop is).
- 3** Fasten with screws provided. The adjusting brass nut must be on the hinge side and should not be adjusted until the unit has been mounted.
- 4** Optimum clearance between door bottom unit and floor or sill is 3/8" (9.5mm). For model #369 clearance is 5/8" (15.9mm).
- 5** Final adjustment to control the drop of the automatic door bottom can be made once the unit is installed, by turning the adjusting brass nut in or out. Open and close the door while adjusting the brass nut to get the desired seal with the floor or sill. Do not over adjust.

TRIMMING INSTRUCTIONS



Length in inches unless specified other

